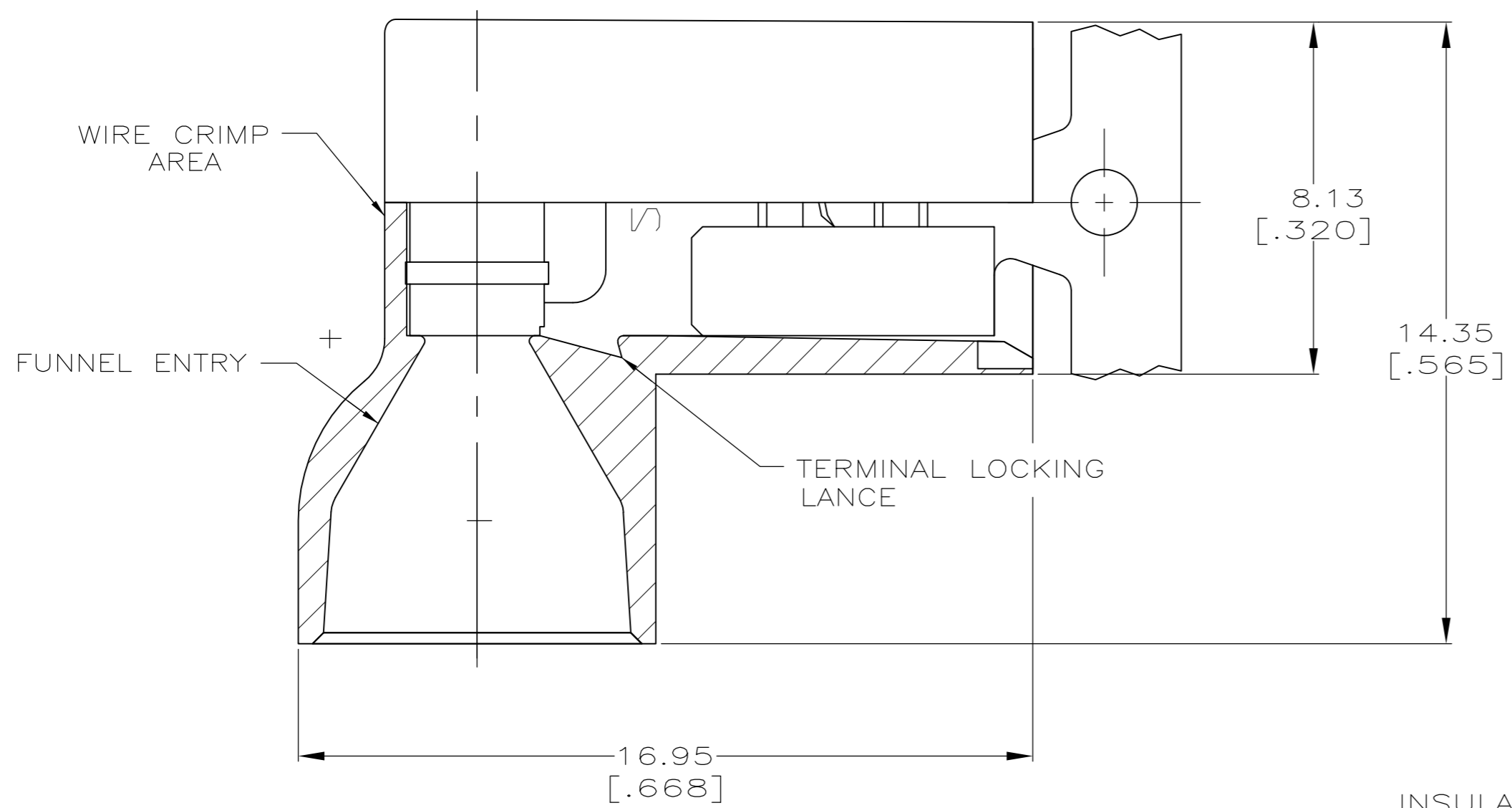
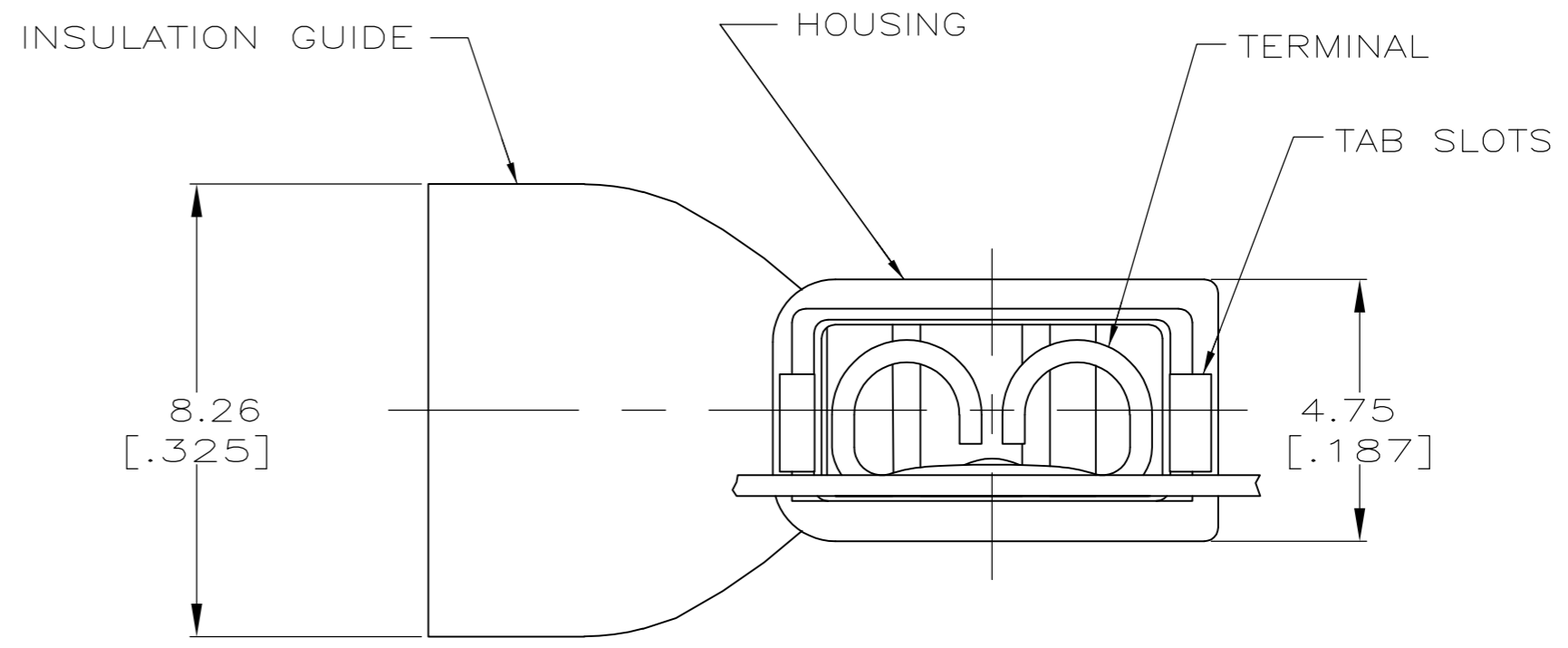
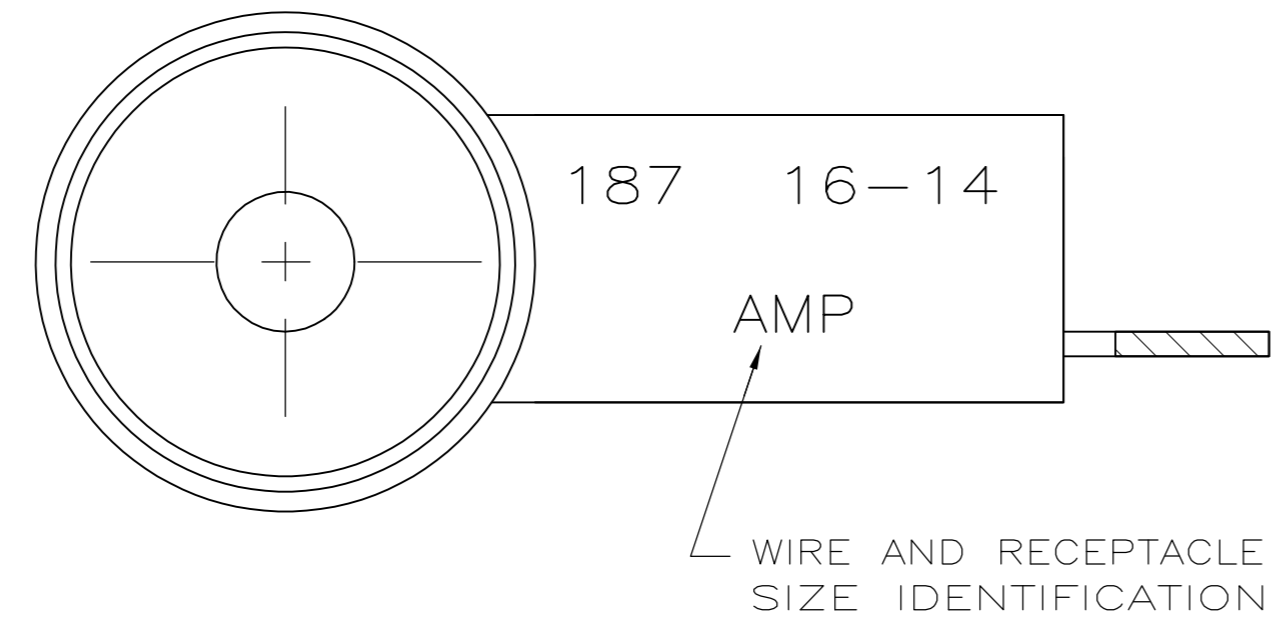


THIS DRAWING IS UNPUBLISHED. RELEASED FOR PUBLICATION
 © COPYRIGHT - By - ALL RIGHTS RESERVED.

LOC		DIST		REVISIONS			
P	LTR	DESCRIPTION		DATE	DWN	APVD	
AF	50	F		REVISED PER ECR-13-004343	30JUL13	KH	KR



- 1 FITS 0.51±0.025 X 4.75 [.020±.001 X .187] TAB
- 2 WIRE SIZE: 1.3-2.0mm² [16-14 AWG], STRANDED ONLY.
 ONE WIRE STRIP LENGTH 7.94 [.312]
 TWO WIRE STRIP LENGTH 8.51 [.335]
- 3 INSULATION SIZE: 6.60 [.260] MAX DIA.
- 4 CONTINUOUS STRIP.



TYPE 6/6 NYLON	BLUE TRANSLUCENT	BRASS	TIN	3-520997-2
MATERIAL	COLOR	MATERIAL	FINISH	PART NUMBER
HOUSING			TERMINAL	

THIS DRAWING IS A CONTROLLED DOCUMENT.		DWN	JR RUTH	7/23/92	 TE Connectivity RECEPTACLE, ASSEMBLY, FLAG, ULTRA-FAST, .187 SERIES			
DIMENSIONS: mm [INCHES]		CHK	MS FEHER	7/23/92				
TOLERANCES UNLESS OTHERWISE SPECIFIED:		APVD	D BRATINA	7/23/92				
0 PLC ± - 1 PLC ± - 2 PLC ± 0.25 [.010] 3 PLC ± - 4 PLC ± - ANGLES ± -		PRODUCT SPEC	108-2043	NAME				
MATERIAL	SEE TABLE	FINISH	SEE TABLE	WEIGHT	SIZE	CAGE CODE	DRAWING NO	RESTRICTED TO
SEE TABLE		SEE TABLE		114-2123	A2	00779	C=520997	-
CUSTOMER DRAWING				SCALE	8:1	SHEET	1 OF 1	REV
								F